

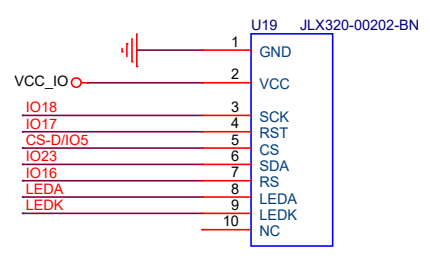
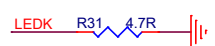
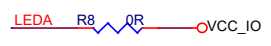
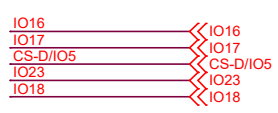
File		T14_V1.0	
Size	B	Document Number	POWER
Date:	Thursday, April 09, 2020	Sheet	1 of 4

D

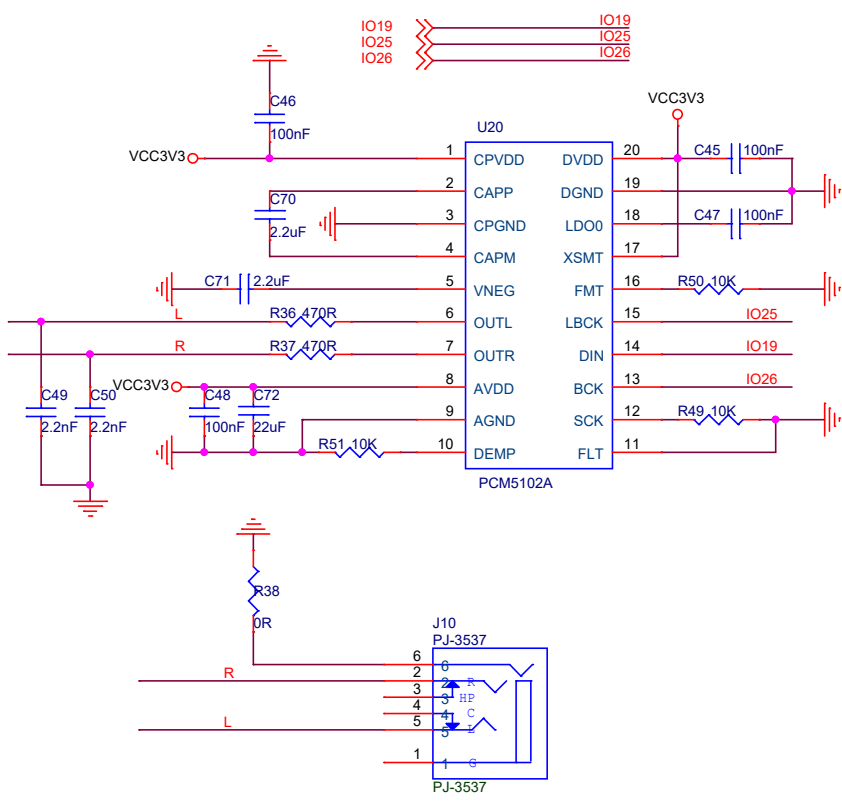
C

B

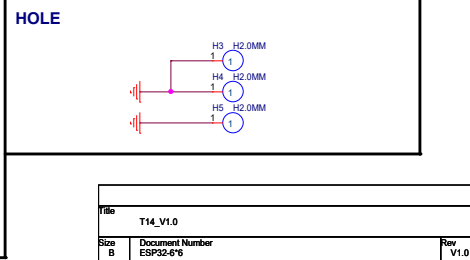
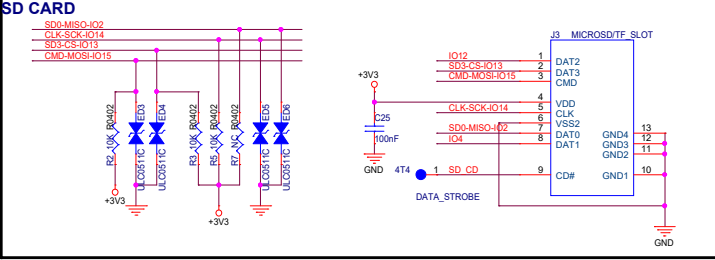
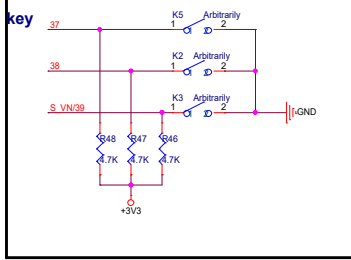
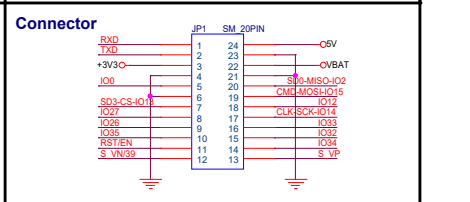
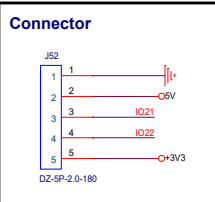
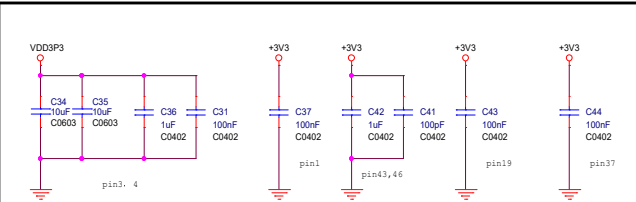
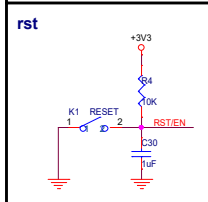
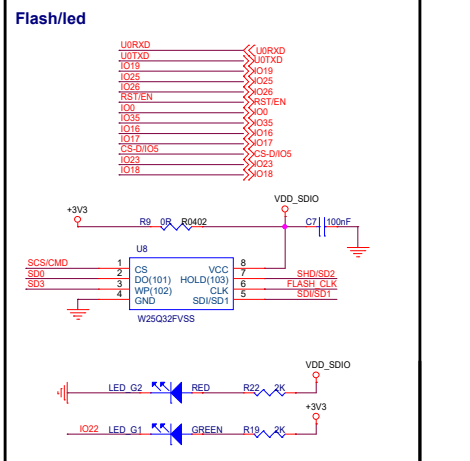
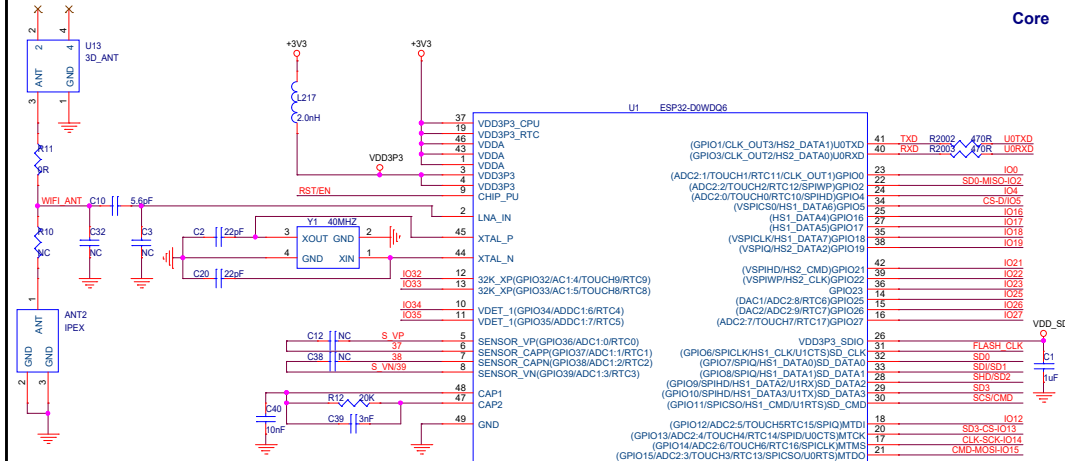
A



Title		
T14_V1.0		
Size	Document Number	Rev
A	LCD2.4	V1.0
Date:	Thursday, April 09, 2020	Sheet 2 of 4



Title		
T14_V1.0		
Size	Document Number	Rev
A	AUDIO CODEC	V1.0
Date:	Thursday, April 09, 2020	Sheet 3 of 4



File	T14_V1.0		
Size	B	Document Number	ESP32-6*6
Date:	Thursday, April 09, 2020	Sheet	4 of 4