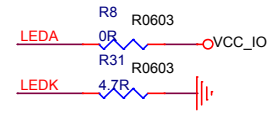
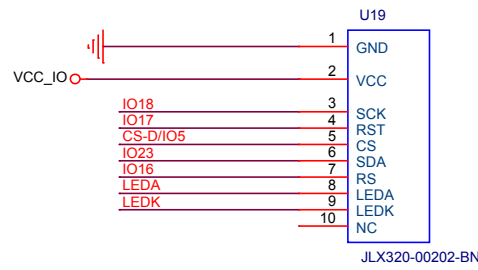
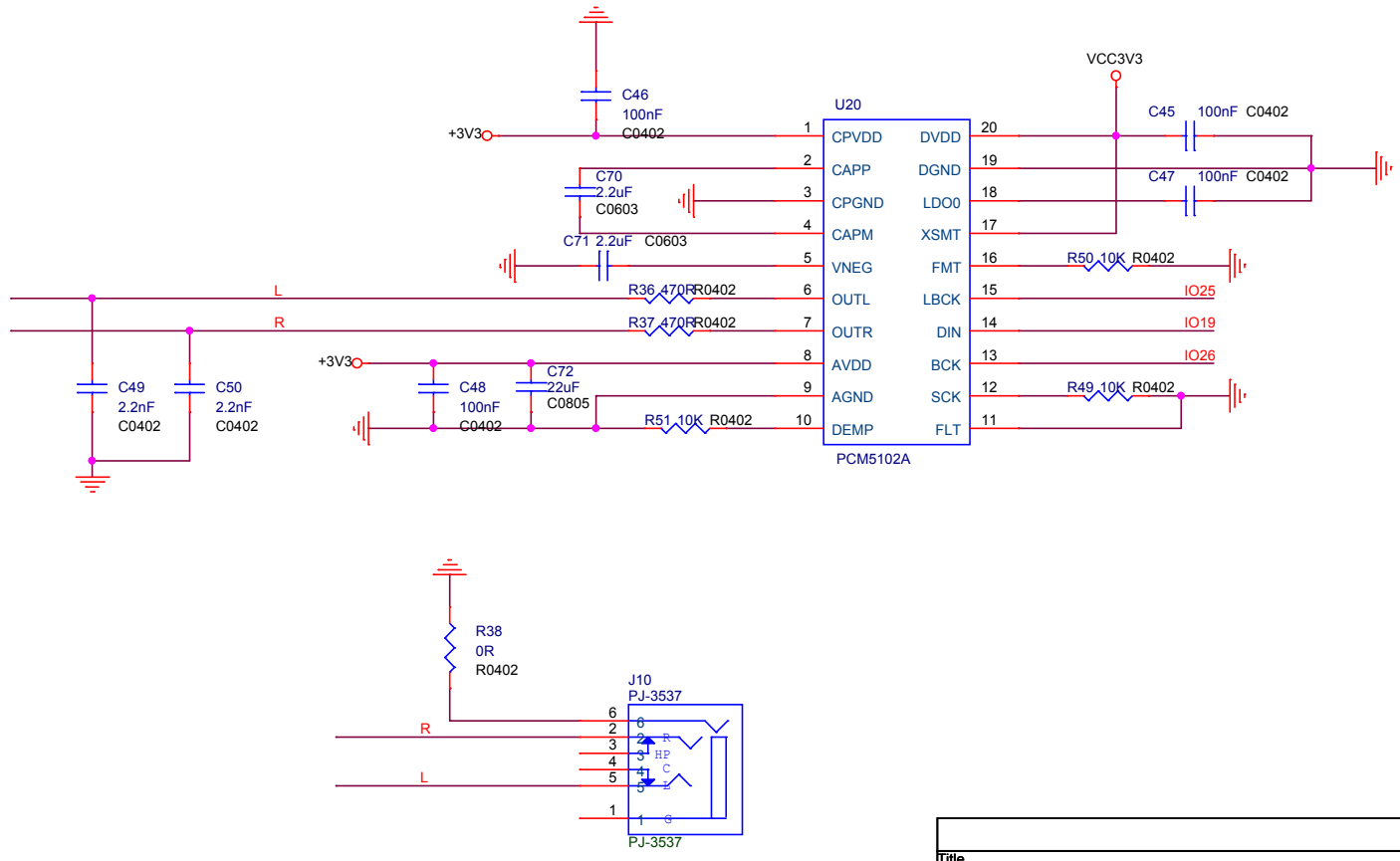


File	<File>
Size	Document Number
C	4000
Date	Thursday, December 28, 2017
Sheet	1 of 1

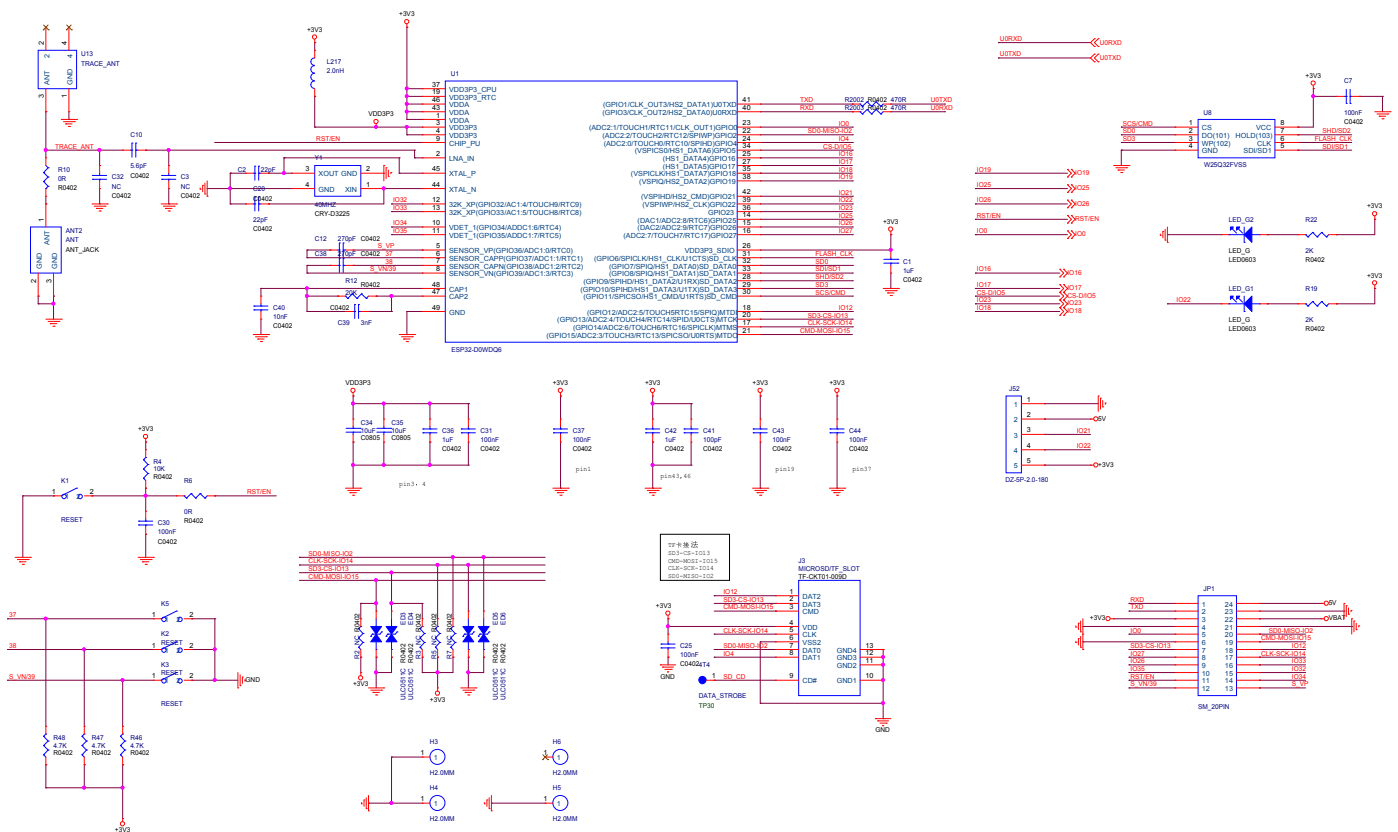


Title		
<Title>		
Size	Document Number	Rev
A	<Doc>	<Rev Co
Date: Thursday, December 28, 2017		Sheet 1 of 1

IO19  
IO25  
IO26



Title		
<Title>		
Size	Document Number	Rev
A	<Doc>	<RevCo
Date:	Thursday, December 28, 2017	Sheet 1 of 1



File	<File>
Size	Document Number
C	40pp
Date	Tuesday, December 28, 2017
Sheet	1 of 1